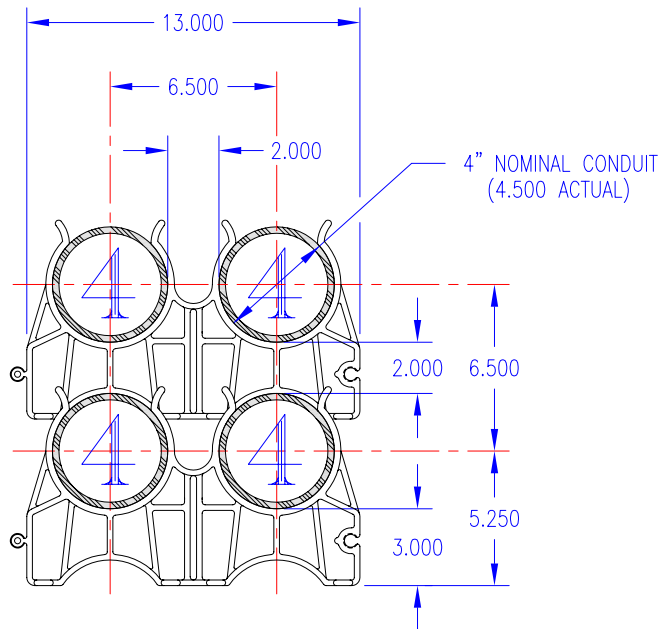
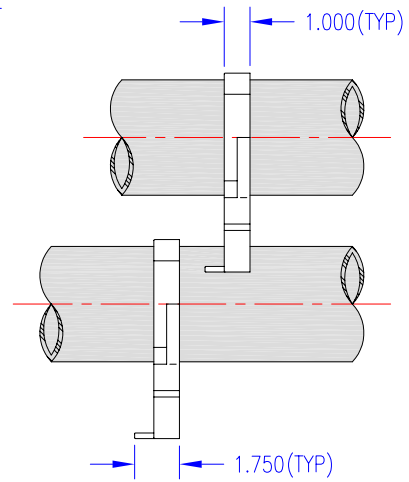


TOP VIEW



FRONT VIEW



RIGHT SIDE VIEW

NOTES:

1. THIS DRAWING SHOWS 2 EACH OF UDI CATALOG NO. 4W20-2.
2. PLACE DUCT SPACERS 5 FEET APART.
3. CONDUIT IS SUPPLIED BY OTHERS.

**UNDERGROUND DEVICES
CATALOG NUMBER:
4W20-2**



**4W20-2 WUNPEECE® DUCT SPACER
OUTLINE DRAWING**

SCALE: See At Left	DESIGNED BY: Don McCoy	DRAWN BY: Alan Armstrong	CHECKED BY: Don McCoy
DATE: 8-8-95	APPROVED BY:	REVISION: C 10-13-05	

1st Designed For UDI LIBRARY OF
OUTLINE & INSTALLATION DRAWINGS FOR AutoCAD®

UNDERGROUND DEVICES, INC.	DRAWING NUMBER: 90-632
NORTHBROOK, ILLINOIS 60062 - PHONE: (847) 205-9000	PAGE 1 OF 1