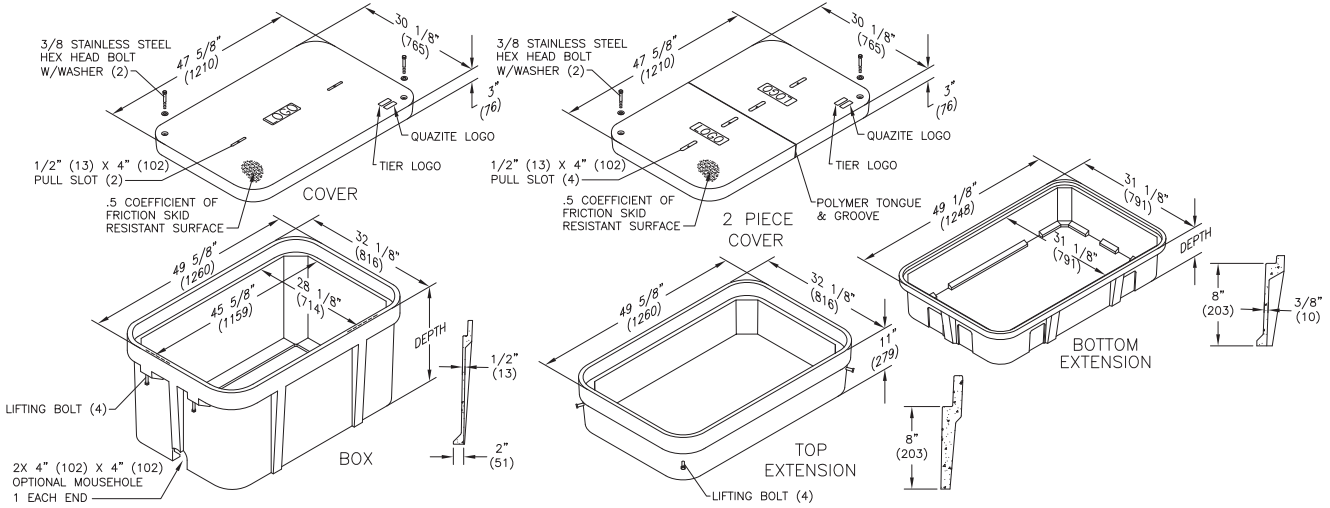


Dimensions / Data

30" x 48" PG Style Polymer Concrete (Stackable) Assembly

Hex Head Bolts are Standard



Covers

	DESCRIPTION	TIER	DESIGN / TEST LOAD #	WEIGHT #	PALLET QTY	PART NO.
UL	W/ 2 Bolts	8	8,000 / 12,000	159	10	PG3048CA00**
	2 piece w/2 Bolts	8	8,000 / 12,000	181	10	PG3048CS00**
UL	W/ 2 Bolts	15	15,000 / 22,500	206	10	PG3048HA00**
UL	2 piece w/2 Bolts	15	15,000 / 22,500	206	10	PG3048HS00**
UL	W/ 2 Bolts	22	22,500 / 33,750	220	10	PG3048HH00**
	2 piece w/2 Bolts	22	22,500 / 33,750	202	10	PG3048H510**
UL	No Bolts	8	8,000 / 12,000	159	10	PG3048WA00**

To order gasketed covers, replace the letter "A" with the letter "G".

Replace ** with a logo code found on page 62. See page 68 for meter and touch/radio read cover options.

NOTE: Gasketed covers and bolt grommets must be used with a gasketed box. Gaskets reduce the inflow of fluids but do not make the enclosure water tight.

Available with EZ Locate. See page 67 for more information.