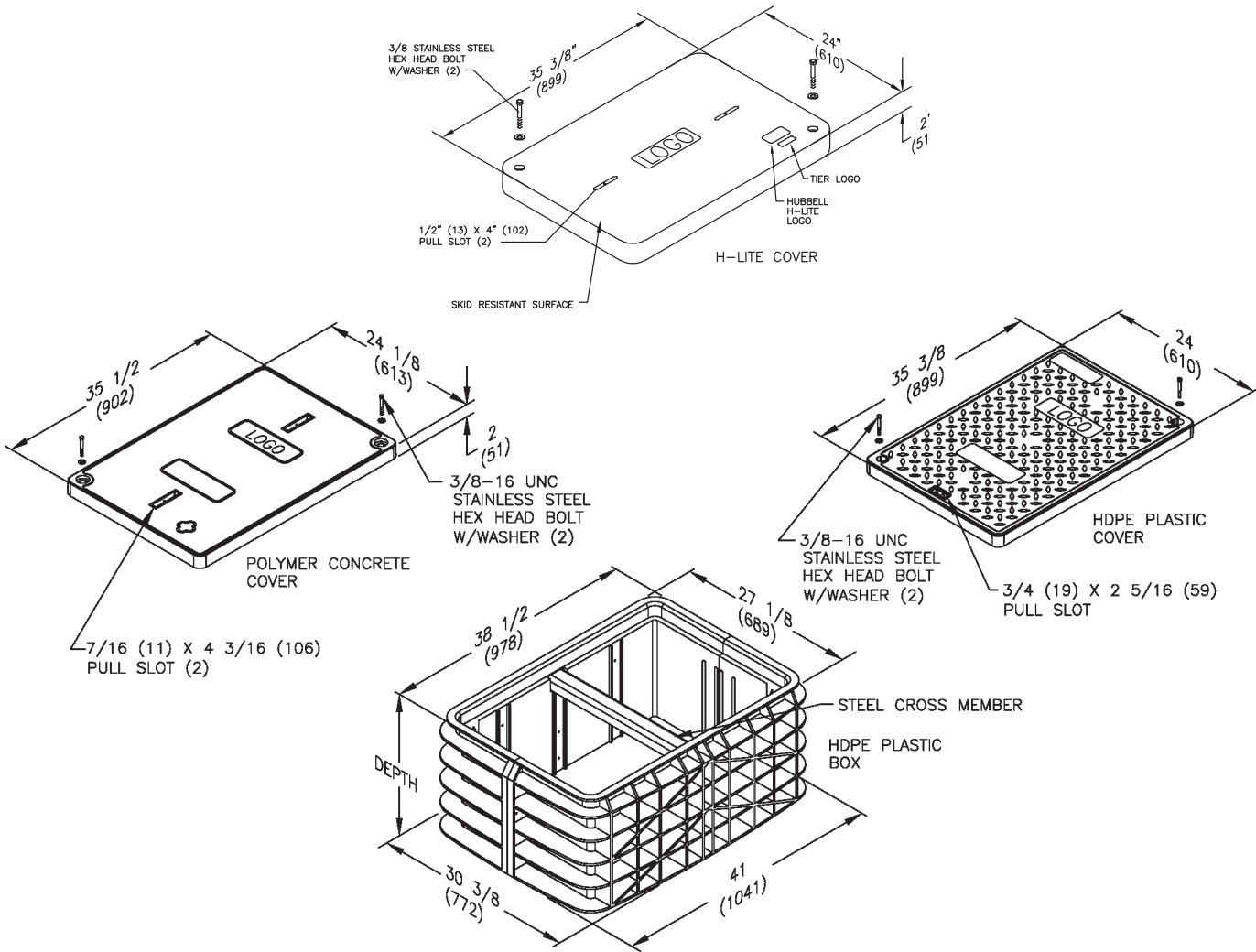


Dimensions / Data

24" x 36" PenCell



Dimensions / Data

24" x 36" PenCell DT (continued)

Hex Head Bolts are Standard

Assemblies

DESCRIPTION	DEPTH	TIER	DESIGN / TEST LOAD	WEIGHT	PALLET QTY	OLD PART NO.	NEW PART NO.
Box & Polymer Concrete Cover	18"	15	15,000 / 22,500	164	2	DT-2-2436-18PCH	DT243618PCH00***
Box & HDPE Cover	18"	N/A	N/A / 5,000	65	6	DT-2436-18H	DT243618HDHDJ***
Box & Polymer Concrete Cover	24"	15	15,000 / 22,500	180	4	DT-2-2436PCH	DT243624PCH00***
Box & HDPE Cover	24"	N/A	N/A / 5,000	81	4	DT-2436HD	DT243624HDHDJ***
Box & Polymer Concrete Cover	36"	15	15,000 / 22,500	229	2	DT-2-2436-36PCH	DT243636PCH00***
Box & HDPE Cover	36"	N/A	N/A / 5,000	130	2	DT-2436PLH	DT243636HDHDJ***

H-lite Assemblies

DESCRIPTION	DEPTH	TIER	DESIGN / TEST LOAD	WEIGHT	PART NUMBER
24" x 36" x 18" HDPE Box and 1-Piece H-Lite Cover	18"	15	15,000/22,500	83 lbs.	DT243618PHH00***
24" x 36" x 18" HDPE Box and 1-Piece H-Lite Cover	18"	22	22,500/33,750	93 lbs.	DT243618Y2H00***
24" x 36" x 24" HDPE Box and 1-Piece H-Lite Cover	24"	15	15,000/22,500	99 lbs.	DT243624PHH00***
24" x 36" x 24" HDPE Box and 1-Piece H-Lite Cover	24"	22	22,500/DT33,750	111 lbs.	DT243624Y2H00***
24" x 36" x 36" HDPE Box and 1-Piece H-Lite Cover	36"	15	15,000/22,500	173 lbs.	DT243636PHH00***
24" x 36" x 36" HDPE Box and 1-Piece H-Lite Cover	36"	22	22,500/33,750	189 lbs.	DT243636Y2H00***

Covers

DESCRIPTION	TIER	DESIGN / TEST LOAD #	WEIGHT #	MATERIAL	OLD PART NO.	NEW PART NO.
2" with Bolts	15	15,000 / 22,500	117	Poly Concrete	DT-2-2436PCLH	DT2436CLH00***
HDPE with Bolts	N/A	N/A / 5,000	18	HDPE	DT-2436PLH	DT2436PLHDJ***

Replace *** with a logo code found on page 194. NOTE: Tier 22 available. Available with EZ Locate. See page 197 for more information.

H-lite Cover Only

DESCRIPTION	DEPTH	TIER	DESIGN / TEST LOAD	WEIGHT	PART NUMBER
24" x 36" H-Lite 1-Piece Cover Only	2"	15	15,000/22,500	36 lbs.	HL2436DTCRO***
24" x 36" H-Lite 1-Piece Cover Only	2"	22	22,500/33,750	36 lbs.	HL2436DTCNO***

Replace *** with logo code

Boxes

DESCRIPTION	DEPTH	TIER	DESIGN / TEST LOAD #	WEIGHT #	PALLET QTY	OLD PART NO.	NEW PART NO.
Gray Open Bottom	18"	15	15,000 / 22,500	47	6	DT-2436-18GS-Y	DT243618GSY
Green Open Bottom	18"	15	15,000 / 22,500	47	6	DT-2436-18GS	DT243618GSN
Gray Open Bottom	24"	15	15,000 / 22,500	63	4	DT-2436-24GS-Y	DT243624GSY
Green Open Bottom	24"	15	15,000 / 22,500	63	4	DT-2436-24GS	DT243624GSN
Gray Open Bottom	36"	15	15,000 / 22,500	112	2	DT-2436-36GS-Y	DT243636GSY
Green Open Bottom	36"	15	15,000 / 22,500	112	2	DT-2436-36GS	DT243636GSN

