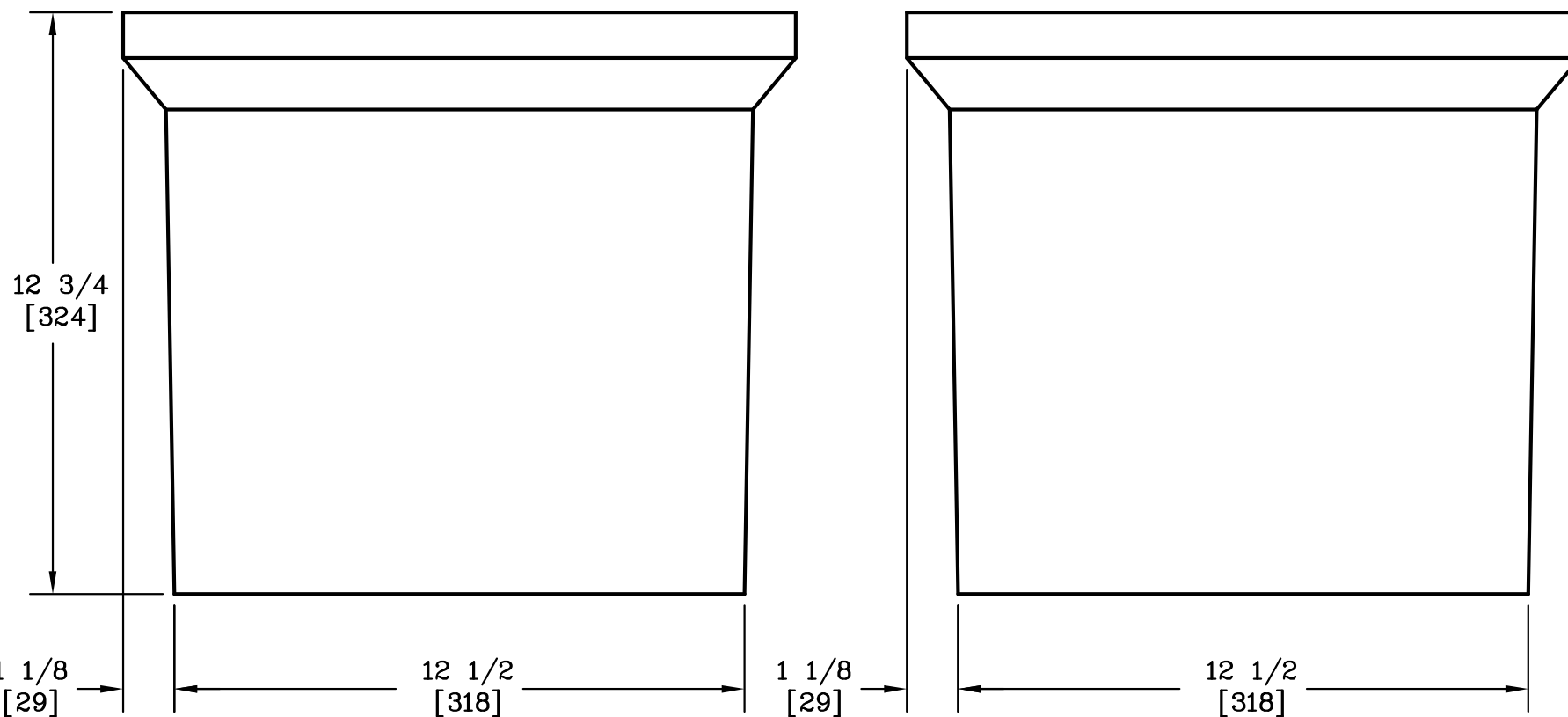



SECTION A-A

NOTE:

1. DIMENSIONS IN BRACKETS ARE IN MILLIMETERS UNLESS OTHERWISE NOTED.



DIMENSIONS ARE IN INCHES OR MILLIMETERS IN BRACKETS UNLESS OTHERWISE NOTED.					
DRN	BY	DATE	WEIGHT	 3621 INDUSTRIAL PARK DR LENOIR CITY, TN 37771 800-346-3062 www.quazite.com	LOC
			36#		
CHK	M&F	5/22/89	16kg	DRAWING DESCRIPTION QUAZITE® BOX	S
ENG	JTD	5/23/89	SCALE		REV
APR	FMS	6/1/89	3"=1'		I
APR	VJB	6/1/89	SIZE		3/12
PROJECT NUMBER			B		
85189					
SHEET 1 OF 1				DRAWING NUMBER	
				PC1212BG12	