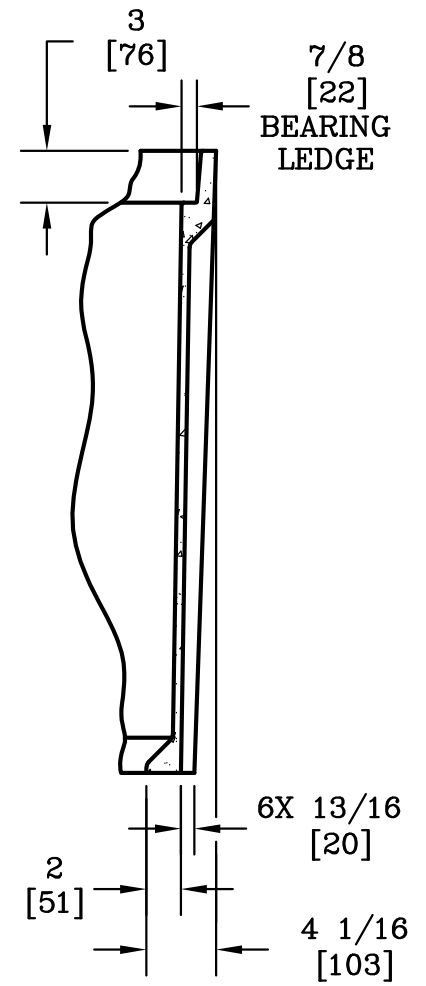
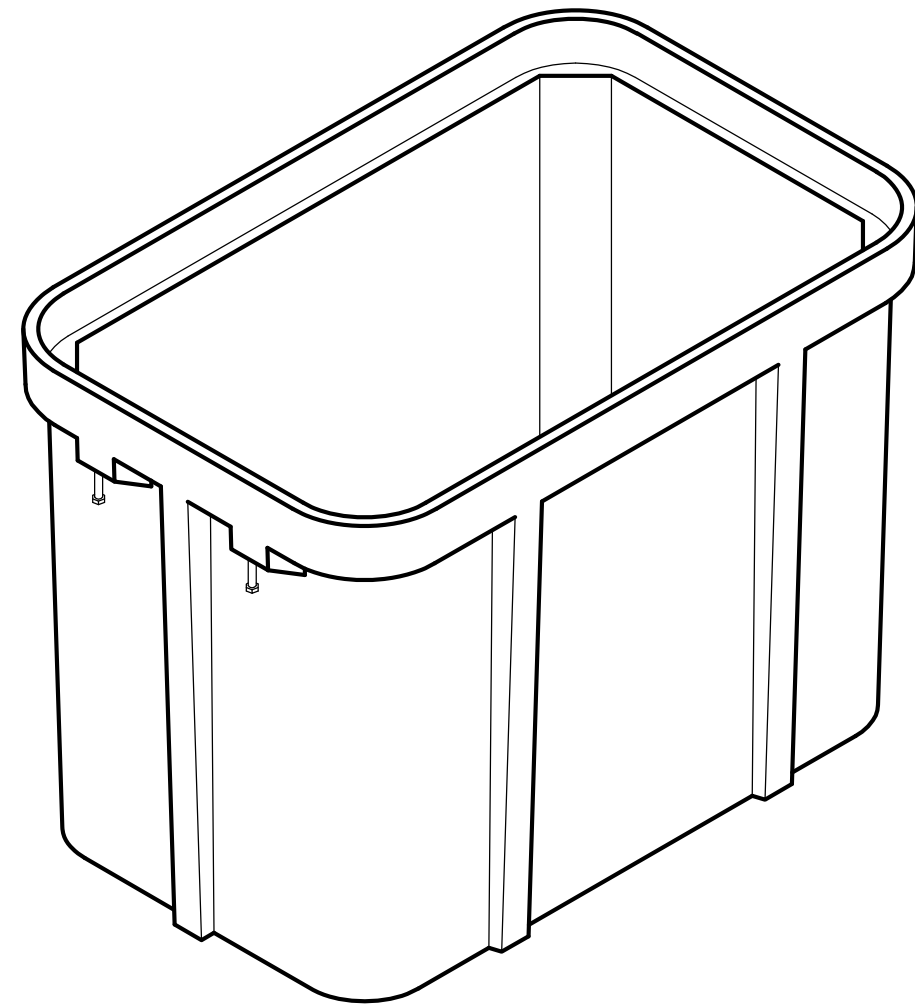


3/8-7 SELF ALIGNING,
REPLACEABLE S.S. EZ-NUT
2 PLACES

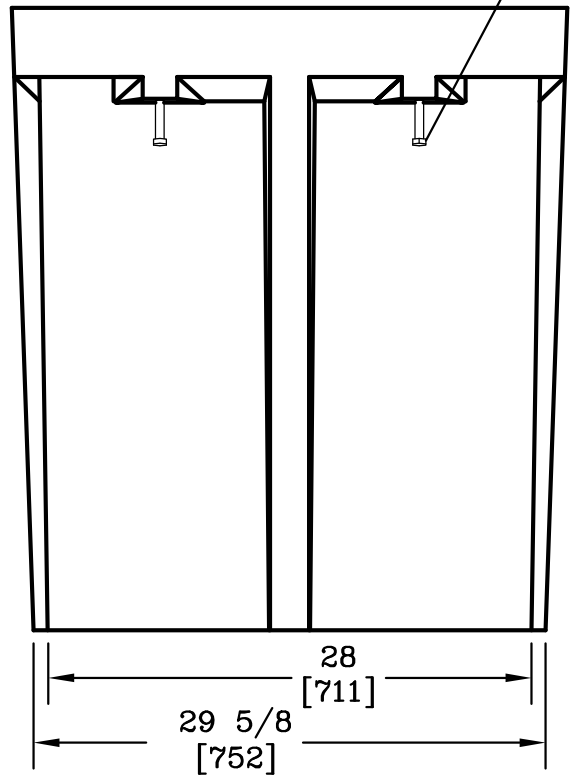
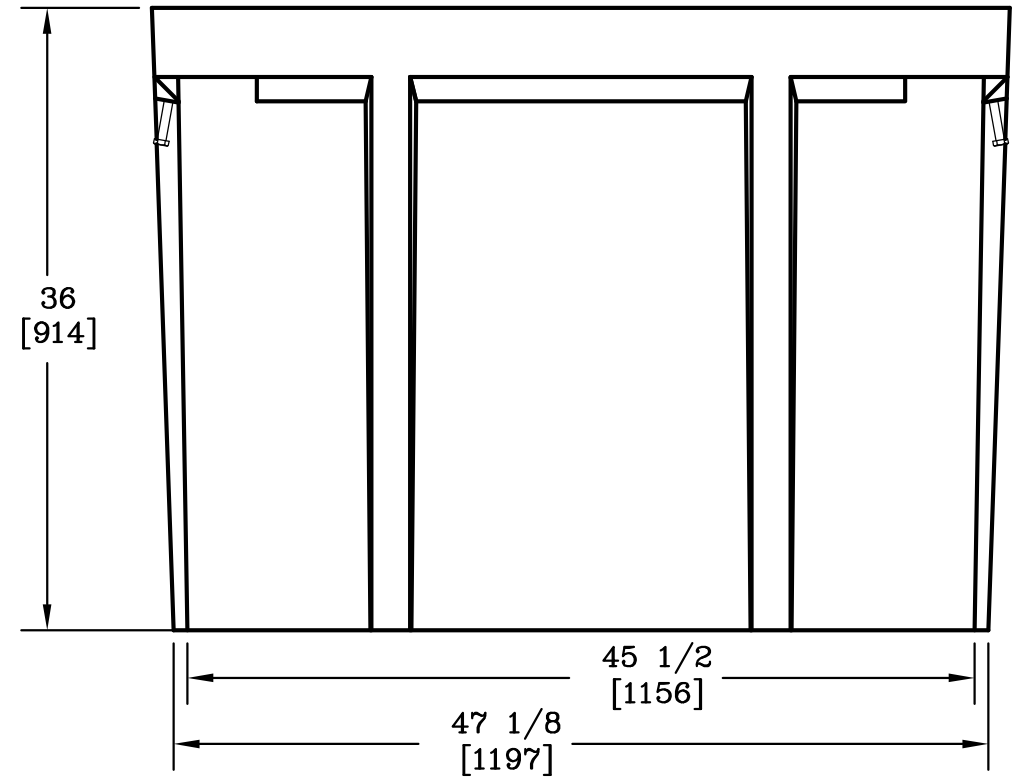
1/2-13 UNC
LIFTING BOLT
4 PLACES



SECTION A-A

NOTES:

1. THIS BOX IS TO BE USED AS THE BOTTOM UNIT WHEN USED IN AN ASSEMBLY.
2. DIMENSIONS IN BRACKETS ARE IN MILLIMETERS UNLESS NOTED OTHERWISE.



DIMENSIONS ARE IN INCHES OR MILLIMETERS IN BRACKETS UNLESS OTHERWISE NOTED.				3621 INDUSTRIAL PARK DR LENOIR CITY, TN 37771 800-346-3062 www.quazite.com	LOC	
DRN	BY	DATE	WEIGHT		DRAWING DESCRIPTION	S
CHK	MBF	12/10/93	364# 165kg	QUAZITE® BOX		REV
ENG	FPD	12/18/93	SCALE			G
APR	FMS	12/17/93	1"=1'			3/12
APR			SIZE			
PROJECT NUMBER					DRAWING NUMBER	
93716					PG3048BA36	
SHEET 1 OF 1						