

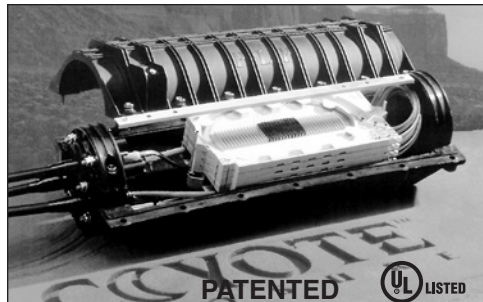
COYOTE® Closure

PLP Feature Focus

©2009 Preformed Line Products

Film available at
www.preformed.com

Origin of the Species...



Setting the bar against which all other fiber closures are measured was no small task for our design team. But years of research & development eventually paid off in the form of a rugged and reliable design that has become legend.

Size	L (cm)	W (cm)	H (cm)
6.0" x 22"	22" (56)	8-1/2" (22)	7" (18)
8.5" x 22"	22" (56)	10-3/4" (27)	9-1/4" (24)

See pages 1-4 and 1-5 for Trays and Splice information

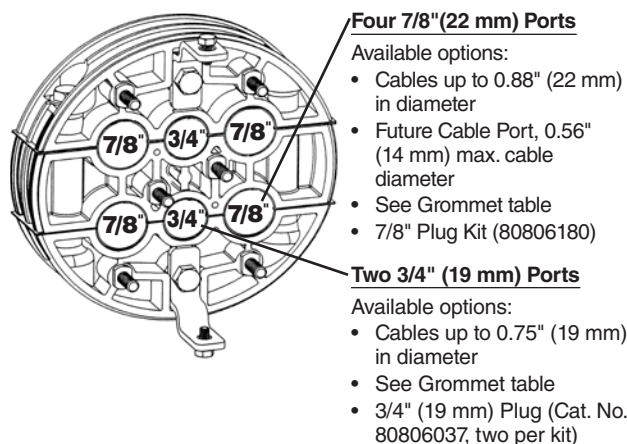
After over ten years of field use and several hundred thousand units sold, the original COYOTE Closure still remains one of the most highly regarded and widely used fiber optic closures in the industry.

Key Features:

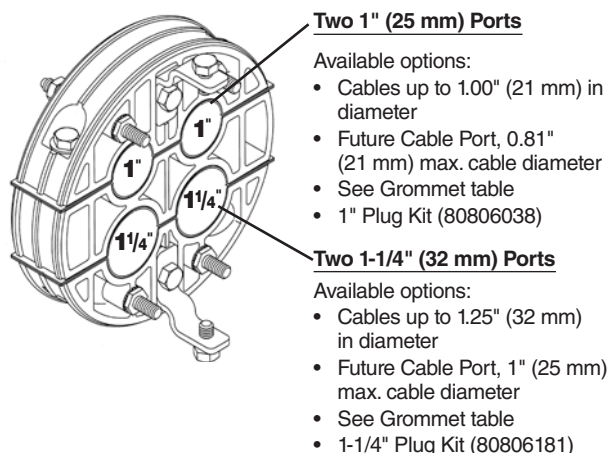
- **Sizes:**
 - 6.0" x 22" (15 cm x 56 cm)
 - 8.5" x 22" (22 cm x 56 cm)
- **End plate options: 4 Port and 6 Port**
 - 6 Port provides (4) 7/8" (22 mm) ports and (2) 3/4" (19 mm) ports
 - 4 Port provides (2) 1-1/4" (32 mm) ports and (2) 1" (25 mm) ports
- **Splice Capacity:**
 - Up to 396 with single fusion, 576 with mass fusion
- **Configuration:** Butt or In-line applications
- Organizers designed for loose buffer tube and ribbon applications
- Compact size allows for mounting in smaller locations
- Provided with LOCK-TAPE Sealant System
- Accepts a wide variety of grommets for multi drop applications
- Field proven permanent neoprene gasket system
- No re-entry kits required
- Future cable ports provide capability for future cable installation, without end plate removal
- Integrated air valve to confirm integrity of final assembly
- Full line of mounting hardware
- **UL Approved and RUS Listed**
- Tested in accordance to Telcordia GR-771 CORE

User options for COYOTE Closure Three-Section End Plate

Three-Section Six Port End Plate
(Cat. No. 80805105)



Three-Section Four Port End Plate
(Cat. No. 80805739)



Note: Three-Section Six Port End Plate Kits include three 7/8" (22 mm) Plugs, two (2) 3/4" (19 mm) Plugs and two Strength Member Brackets.



COYOTE® Closure

COYOTE Closure Kits		
Catalog Number		Description
6 Port End Plate	4 Port End Plate	
8006560	8006633	Buffer Tube: 6" x 22" COYOTE Closure, includes (1) 3 section end plate, (1) blank end plate, organizer and LOCK-TAPE sealant
8006540	8006631	Unitube Transition Compartment: 6" x 22" COYOTE Closure, includes (1) 3 section end plate, (1) blank end plate, organizer, transport tube kit, transition tube kit and LOCK-TAPE sealant
8006587	8006635	Express Buffer Tube: 6" x 22" COYOTE Closure, includes (1) 3 section end plate, (1) blank end plate, express organizer and LOCK-TAPE sealant
8006659		Buffer Tube: RUS LISTED - 6" x 22" COYOTE Closure, includes (1) 3 section end plate, (1) blank end plate, organizer, LOCK-TAPE sealant and (2) RUS listed shield connectors
8006561	8006634	Buffer Tube: 8.5" x 22" COYOTE Closure, includes (1) 3 section end plate, (1) blank end plate, organizer and LOCK-TAPE sealant
8006541	8006632	Unitube Transition Compartment: 8.5" x 22" COYOTE Closure, includes (1) 3 section end plate, (1) blank end plate, organizer, transport tube kit, transition tube kit and LOCK-TAPE sealant
8006588	8006636	Express Buffer Tube: 8.5" x 22" COYOTE Closure, includes (1) 3 section end plate, (1) blank end plate, express organizer and LOCK-TAPE sealant
8006660		Buffer Tube: RUS LISTED - 8.5" x 22" COYOTE Closure, includes (1) 3 section end plate, (1) blank end plate, organizer, LOCK-TAPE sealant and (2) RUS listed shield connectors

UL Approved, RUS Listed, Patented

Splice Tray Installation Materials Kits	
Catalog Number	Description
80808187	40 mm heat shrink protector (12 per kit)
8003717	60 mm heat shrink protector (50 per kit)
8003381	12-Count soft elastomer splice block kit (3 per kit)
80807989	Transport tube kit (bulk) – 100 ft coil of transport tube 0.170" I.D. – will contain (6) 12 fiber ribbons
80807991	Transport tube kit (bulk) – 100 ft coil of transport tube 0.250" I.D. – will contain (12) 12 fiber ribbons
8003285	Transport tube kit, color coded, includes (6) transport tubes 0.135" I.D.

Miscellaneous Accessories	
Catalog Number	Description (mm)
80805260	Blank End Plate Kit
80805107	Strength Member Bracket Kit – two per kit
80805431	Extended Strength Member Bracket Kit – two per Kit
8003385	Flame-Retardant Blanket for 6.0" (152) x 22.0" (559) COYOTE Closure
8003388	Flame-Retardant Blanket for 8.5" (216) x 22.0" (559) COYOTE Closure
8003280	Transition Tube Kit Used to transition fibers from the top section of the End Plate to the Transition Compartment.
8000475	COYOTE Closure End Plate Removal Tool
80805293	Transport Tube Kit .135" ID: includes six 34" long transPort with Hardened Adapter tubes, used to bring fiber from transition compartment to splice tray
80806439	Transport Tube Kit .17" ID: includes six 34" long transPort with Hardened Adapter tubes, used to bring fiber from transition compartment to splice tray

Bonding and Grounding Kits	
Catalog Number	Description (mm)
8003281	External bond clip kit
8003360	External bond braid kit
8003463	External isolation terminal kit, includes (2) isolation terminals with 7" long #6 cable stub and splice sleeve
8003464	External isolation terminal kit, includes (2) isolation terminals with 7" long #6 cable stub and quick disconnect
8003465	Quick disconnect kit (2 per kit)
80806750	External isolation connector for COYOTE Closures
80803989	Fiber optic shield connector, RUS Listed 3M #4460-D/FO (1 per kit)
80806743	Fiber optic shield connector for up to .5" (13mm) cable O.D.
80806744	Fiber optic shield connector for .5" to .8" (13 - 20mm) cable O.D.
80806745	Fiber optic shield connector for .8" to 1.6" (20 - 41mm) cable O.D.
80805286	Adapter bracket kit for AT&T bond connector (4 per kit)
8003322	Isolated ground kit for 0.27" to .31" (7 - 8mm)
8003424	Strength member bracket isolation kit, includes (6) nylon washers and bushings
80806179	Bonding Braid, .5" W x 7" L with (2) eyelets spaced 6" apart

COYOTE Closure Splice Tray Kits			
Catalog Number	Description	6.5" x 17" or Smaller	6" x 22" or Larger
80807701	12 Count Low Profile Tray w/plastic splice block – single fusion splices	X	
80807769	12 Count Low Profile Tray (Blank) No Splice Block	X	
80806033	12 Count Standard Tray w/elastomeric splice block – Fusion & mechanical splices	X	
80806182	12 Count Standard Tray (Blank) – No Splice Block	X	
80808290	12 Count Bare Fiber Splice Trays	X	
80807114	72 Count Ribbon Tray w/Elastomeric Splice Block for Mass Fusion	X	
80808160	Ribbon Tray (Blank) No splice Block	X	
8001127	36 Count Low Profile Tray w/plastic splice block – single fusion splices		X
80807531	Blank Low Profile Splice Tray		X
8001130	Blank Low Profile Splice Tray		X
80805514	36 Count Standard Tray w/elastomeric splice blocks – Fusion & mechanical splices		X
80805110	36 Count Standard Tray w/fixid rigid slots		X
80805509	36 Count Standard Tray (Blank) – No Splice Block		
80808289	36 Count Bare Fiber Splice Trays		X
80805146	144 Count Ribbon Tray w/fixid rigid slots		X
80805515	144 Count Ribbon Tray w/2 elastomeric splice blocks		X
80805510	144 Count Ribbon Tray (Blank) – No splice blocks		X

*Requires additional LITE-GRIP block kit to achieve maximum capacity.