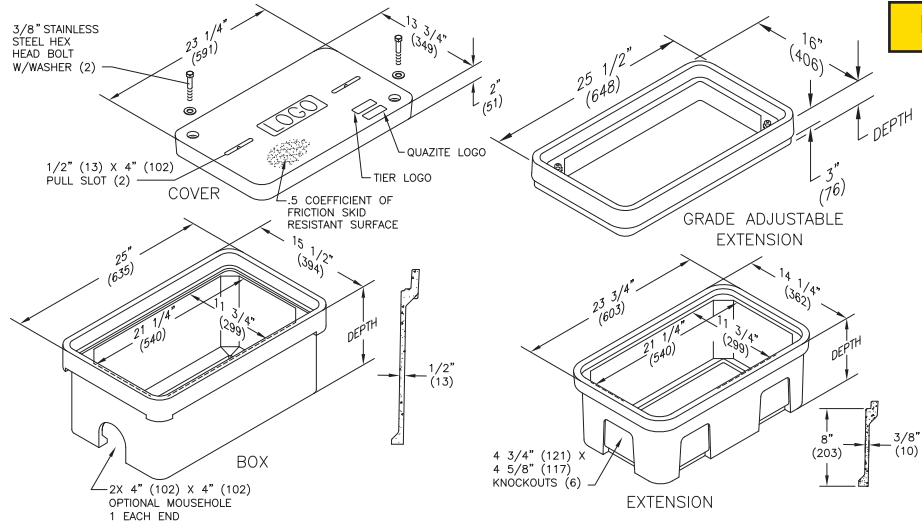


# Dimensions / Data

## 13" x 24" PG Style Polymer Concrete (Stackable) Assembly



**Hex Head Bolts are Standard**

### Covers

DESCRIPTION	TIER	DESIGN / TEST LOAD #	WEIGHT #	PALLET QTY	PART NO.
W/ 2 Bolts	8	8,000 / 12,000	33	30	PG1324CA00**
W/ 2 Bolts	15	15,000 / 22,500	51	30	PG1324HA00**
W/ 2 Bolts	22	22,500 / 33,750	54	30	PG1324HH00**
No Bolts	8	8,000 / 12,000	33	30	PG1324WA00**

To order gasketed covers, replace the letter "A" with the letter "G".  
 Replace \*\* with a logo code found on page 62. See page 68 for meter and touch/radio read cover options.  
 NOTE: Gasketed covers and bolt grommets must be used with a gasketed box. Gaskets reduce the inflow of fluids but do not make the enclosure water tight.  
 Available with EZ Locate. See page 67 for more information.

### Boxes

DESCRIPTION	DEPTH	TIER	DESIGN / TEST LOAD #	WEIGHT #	PALLET QTY	PART NO.
Standard Open Bottom	12"	22	22,500 / 33,700	53	20	PG1324BA12
	18"		22,500 / 33,700	72	16	PG1324BA18
	24"		22,500 / 33,700	91	12	PG1324BA24
Solid Bottom	12 1/2"	22	22,500 / 33,700	63	20	PG1324DA12
	18 1/2"		22,500 / 33,700	85	16	PG1324DA18
	24 1/2"		22,500 / 33,700	107	12	PG1324DA24

To order boxes with 2 standard mouseholes, replace the letter "A" with the letter "B".  
 To order gasketed boxes, replace the letter "A" with the letter "G".

### Extensions (for use under box only, one per box)

DESCRIPTION	DEPTH	TIER	DESIGN / TEST LOAD #	WEIGHT #	PALLET QTY	PART NO.
8" - Open Bottom	8 3/4"	22	22,500 / 33,750	25	24	PG1324EA08
8" - Solid Bottom	9 1/4"	22	22,500 / 33,750	35	24	PG1324RA08

### Grade Adjustable Extension (for use on top of box only, one per box)

DESCRIPTION	DEPTH	TIER	DESIGN / TEST LOAD #	WEIGHT #	PALLET QTY	PART NO.
3" Top Extension	5 1/8"	22	22,500 / 33,750	37	24	PG1324ED03

**QUAZITE**